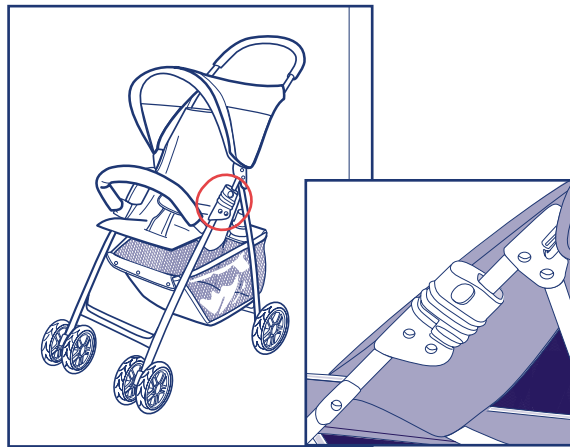


LITE SPORT™ STROLLER SIDE-LOCK REPAIR KIT

WARNING

-  Risk of Stroller Collapse
-  Do not use stroller until it is repaired

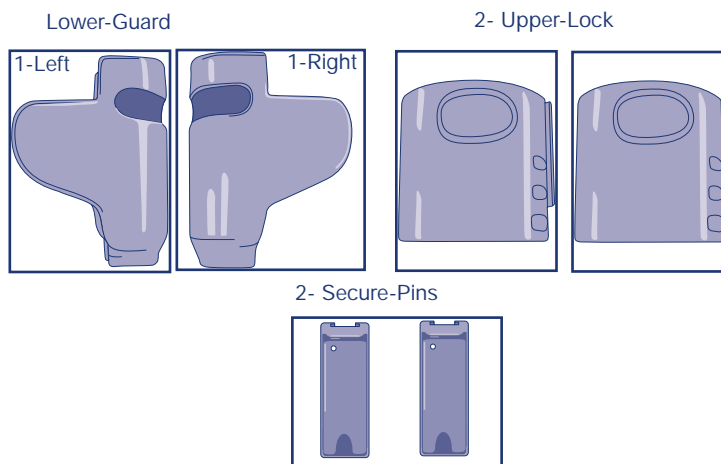
Enclosed is the Side Lock Repair Kit for your LITE SPORT Stroller, Model # 36122. It will prevent the side-lock on your stroller from breaking.



36122

Your product should have this type of side lock

Parts Included:

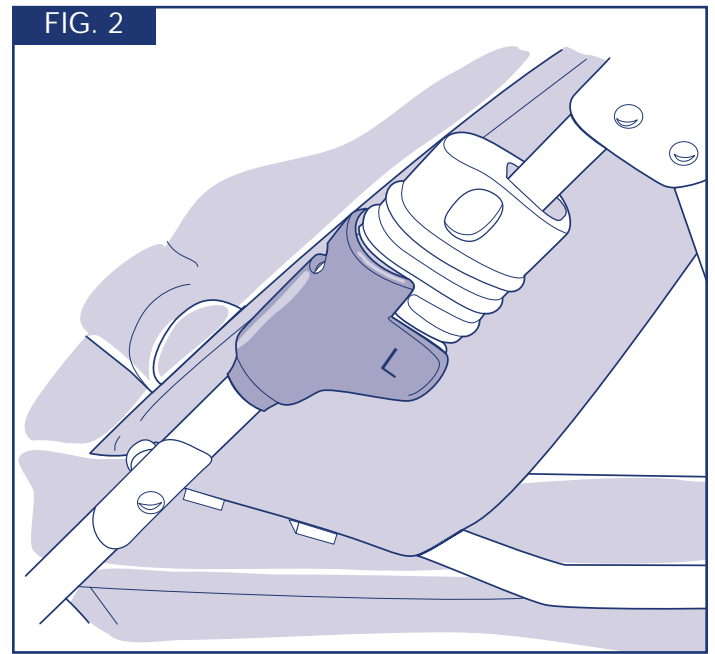
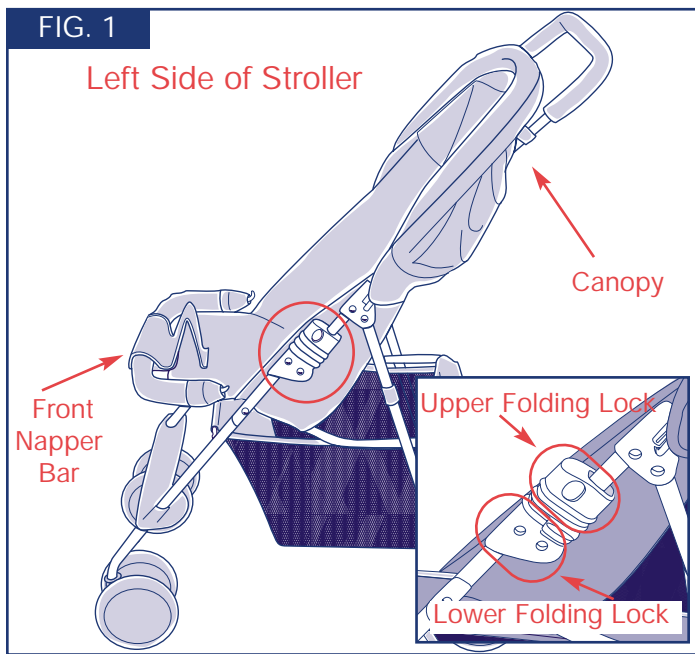


Please Note: Separate parts into right "R" and left "L". Orient right and left as if you are the child sitting in the stroller.

No Tools Required

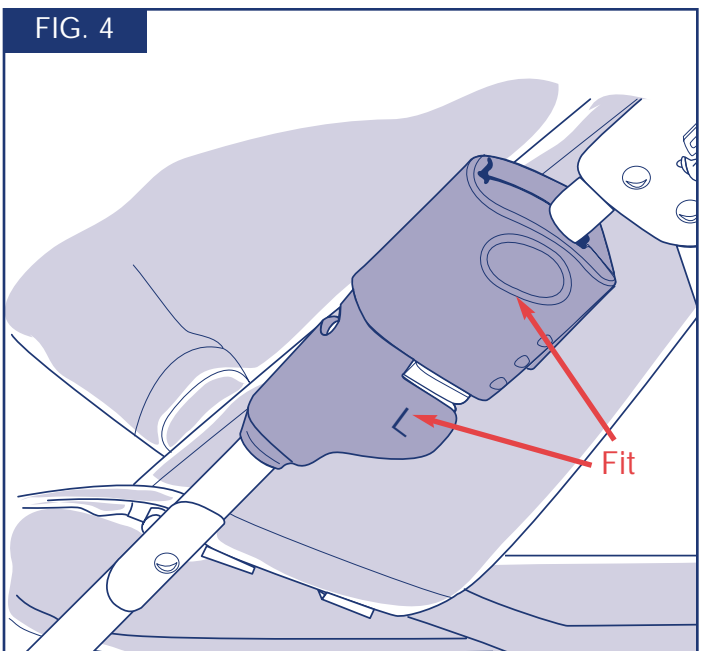
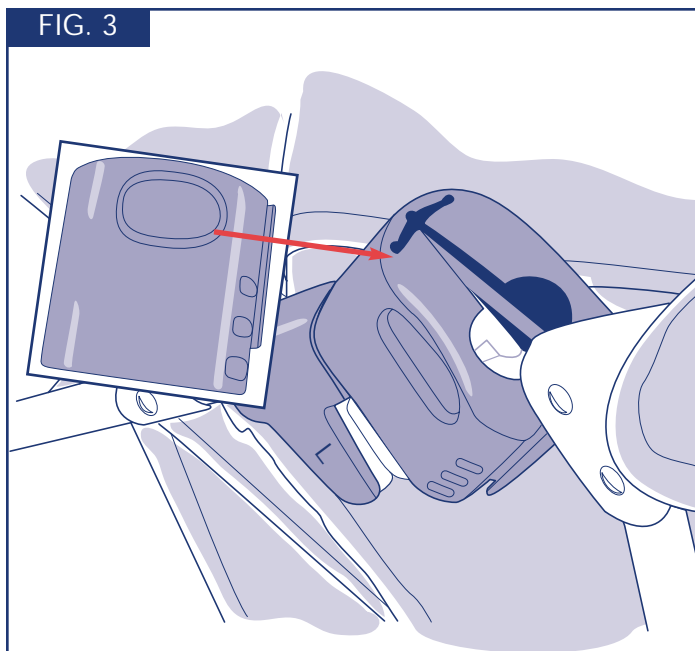
If your Repair Kit does not contain one of the parts listed above, please contact Kolcraft Customer Service immediately at:

1-800-453-7673 (1-910-944-9345 outside of the U.S.)

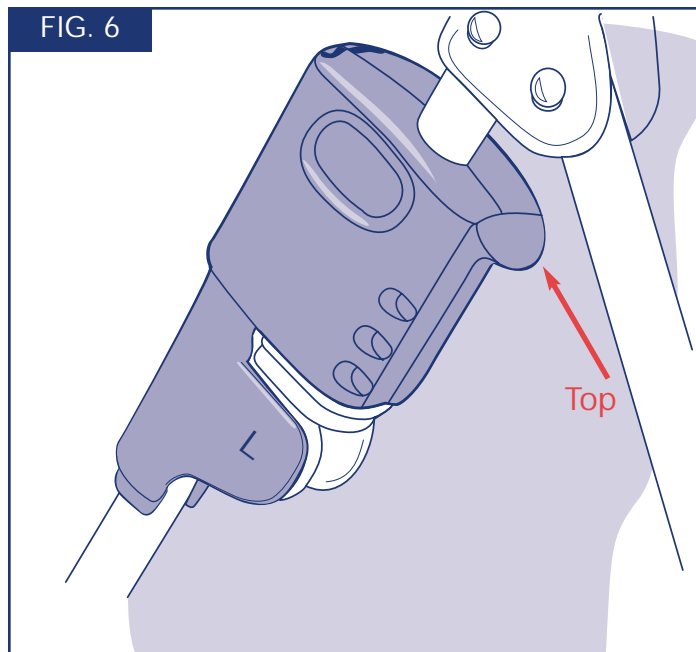
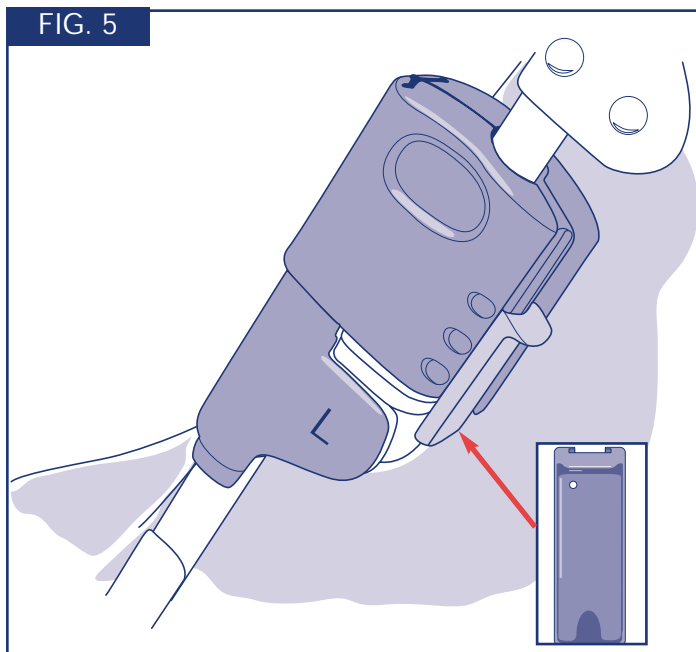


1. Push back canopy & remove front napper bar. This repair kit will be used to fix the Side Folding Locks.

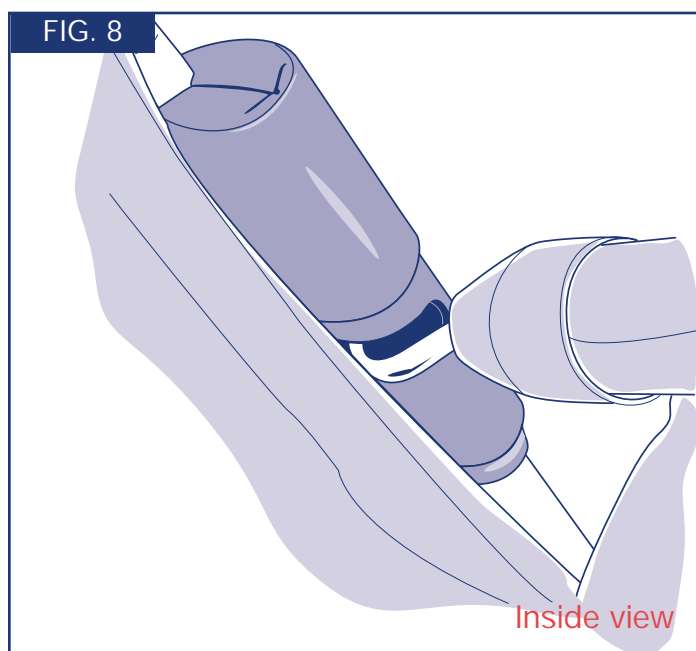
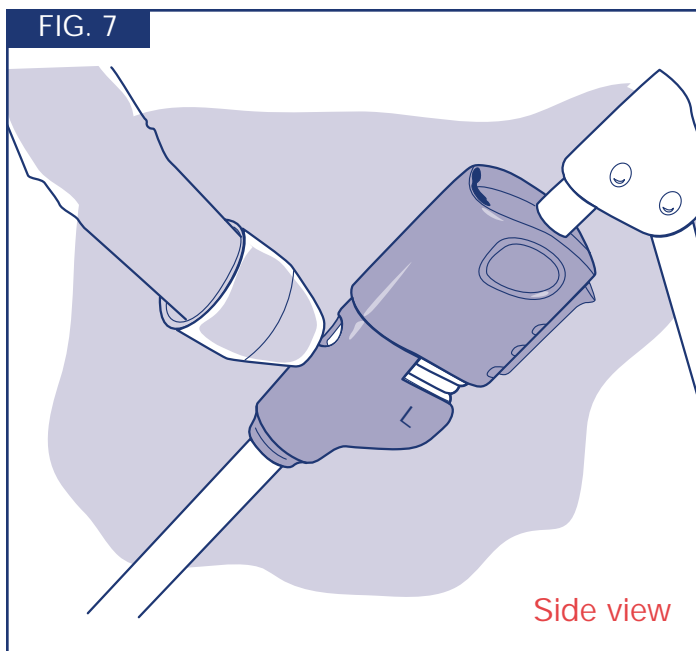
2. Locate the Lower-Guard with an "L" on it. This will be used on the Left Lower Folding Lock shown in figure 1. Snap the Left Lower-Guard on stroller until it is secured as shown.



3. Locate Upper-Lock. Gently pull apart Upper-Lock and place it over the Upper Folding Lock. Make sure it completely snaps around the Upper Folding Lock as shown in Figure 4.



4. Slide Secure-Pin onto the back of Upper-Lock until it reaches the top as shown in Figure 6.



7. Repeat for side folding lock on right side of stroller. Reattach front napper bar. Review Figures 7 & 8 to make sure your Repair Kit is assembled properly.