



## Transitional 3 Drawer Dresser Assembly Instructions

THIS INSTRUCTION BOOKLET CONTAINS IMPORTANT SAFETY INFORMATION. PLEASE READ  
AND KEEP FOR  
FUTURE REFERENCE.


READ INSTRUCTIONS CAREFULLY BEFORE ASSEMBLY

Manufactured by:  
Kolcraft Enterprises, Inc.  
1100 W Monroe St  
Chicago, IL 60607  
[www.kolcraft.com](http://www.kolcraft.com)  
(800) 453-7673

Record manufacturing date and factory code  
from product label here:

## Care and Maintenance

- After completing assembly, check that all bolts and screws are secure and tight. Hardware can become loose over time, so it is your responsibility to periodically check the tightness of all fasteners as long as you use the nursery furniture.
- After completing assembly, use the provided wall mounting kit to secure your dresser to the wall.
- Wood is a natural material and as such it can be affected by changes in temperature and humidity. Extreme changes in humidity and temperature can cause the wood to warp, swell, crack or shrink, thus compromising the structural integrity of the furniture and making it dangerous to use.
- Furniture should always be stored indoors in climate controlled, dry locations. Use care when using a vaporizer or humidifier around the furniture. Do not aim the vapor at the crib or any other wooden furniture in the nursery. Avoid using vaporizers or humidifiers for extended periods of time.
- To clean the furniture, wipe with a damp cloth and immediately dry the surface. Do not use any chemical cleaners or polishes. Such products can leave a residue on the finish and come in contact with your child.
- Your furniture has a durable and protective non-toxic finish, however if you decide to refinish it, you must use a non-toxic finish specified for children's products. Do not use any toxic stripping methods to remove the old finish.
- Please refer to your furniture's instruction manual for proper assembly. Instruction manuals can be downloaded from [Kolcraft.com](http://Kolcraft.com), [MiraStudios.com](http://MiraStudios.com), and [Sealybaby.com](http://Sealybaby.com).

<b>⚠ WARNING</b>	
	<p><b>Serious or fatal crushing injuries can occur from furniture tip-over. To help prevent tip-over:</b></p> <ul style="list-style-type: none"><li>·Install tipover restraint provided.</li><li>·Place heaviest items in the lowest drawers.</li><li>·Do not set TV's or other heavy objects on top of this product, unless the product is specifically designed to accommodate them.</li><li>·Never allow children to climb or hang on drawers, doors, or shelves.</li><li>·Never open more than one drawer at a time.</li></ul>
	<p><b>Use of tip-over restraints may only reduce, but not eliminate, the risk of tip-over.</b></p> <p><i>This is a permanent label. Do not remove!</i></p>

# Kolcraft Nursery Furniture Limited Warranty

Thank you for purchasing a Kolcraft Enterprises, Inc. designed nursery furniture piece including Mira Studios, Payson Studios, Sealy and any other applicable private label products.

What is the warranty for my nursery furniture?

Kolcraft Enterprises, Inc. warrants all nursery furniture to be free of defects in materials and workmanship from the date of purchase from an authorized retailer or distributor. All nursery furniture will have a ONE YEAR warranty from the date of purchase.

What will Kolcraft Enterprises, Inc. do?

Kolcraft will repair or replace, at its option, the defective product. If you have a problem with or are not satisfied with your product, please contact the Customer Service Department at Kolcraft. Repair or replacement as provided under this warranty is the exclusive remedy of the consumer. Kolcraft shall not be liable for any incidental or consequential damages for breach of any express or implied warranty on this product, except to the extent this exclusion is prohibited by applicable law. Some states do not allow the exclusion or limitation of incidental or consequential damages, so the above limitation or exclusion may not apply to you. This warranty gives you specific legal rights, and you may also have other rights which vary from state to state.

Any implied warranty of merchantability or fitness for a particular purpose on this product is limited in duration to the duration of this warranty.

What does the nursery furniture warranty cover?

The manufacturer warrants that all structural elements of this product, including hardware, joints, bolts and mechanical devices shall be free of any defects under normal household use and will be replaced or repaired free of charge for ONE YEAR from the date of purchase. You must be the original owner of the item and must properly use and care for the product as indicated in Section 2 below. Information and/or photographs of the nursery furniture may be requested to verify correct model and condition.

What is not covered by the nursery furniture warranty?

This warranty shall not apply to damages arising from neglect, misuse, abuse, accidental damage, or commercial use of the product. This warranty excludes the finish or paint coating, and is limited to repair or replacement of defective parts only. Products purchased through an unauthorized retailer or distributor, any floor models, or second-hand purchases do not qualify for the warranty.

What if I am a customer located outside of the U.S.?

Product warranties are only valid for the country in which they are purchased. Kolcraft Enterprises, Inc. may not ship replacement products or parts to countries where such products do not comply with local regulations, even in the event that the original product was purchased in the U.S. Replacement products that do comply with local regulations may incur a shipping fee and are subject to customs, taxes and duties of the country in which the product is being shipped to. If the product was sold through an authorized distributor, Kolcraft Enterprises, Inc. will provide appropriate distributor information and replacements may only be offered through your local distributor.

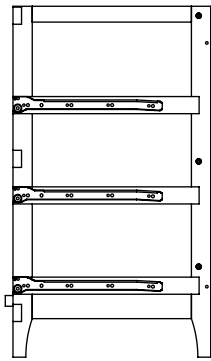
How do I contact Kolcraft Enterprises, Inc. for warranty service?

To obtain warranty service, please contact Kolcraft's Customer Service Department. If the product is returned to Kolcraft's Customer Service Department for repair or replacement, it must be shipped prepaid and adequately insured.

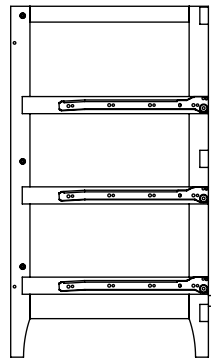
Please direct any comments, questions or requests to: Kolcraft Enterprises, Inc. Customer Service Department, 1100 West Monroe Street, Chicago, IL 60607, 1-800-453-7673 in the U.S. and Canada, 1-312-361-6315 outside the U.S. and Canada, Monday-Thursday 8 a.m.- 5 p.m. and Friday 8 a.m. – 3 p.m. Central Standard Time.

# Parts:

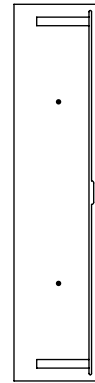
**A** Left Side



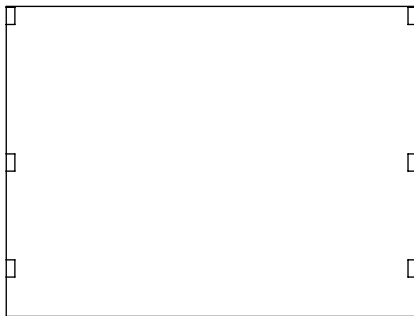
**B** Right Side



**F** 3x Drawer Front



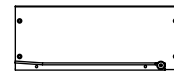
**C** Back



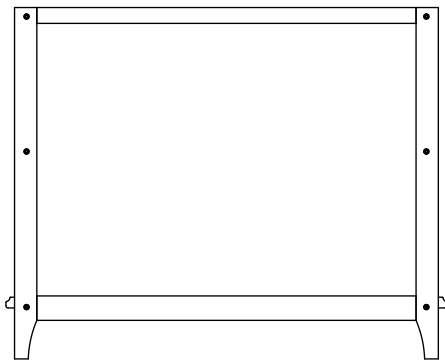
**G** 3x Left Drawer Side



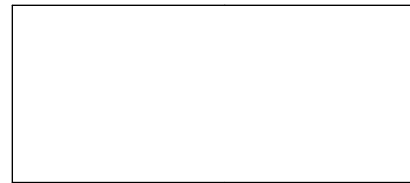
**H** 3x Right Drawer Side



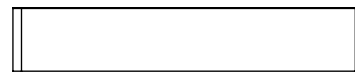
**D** Face Frame



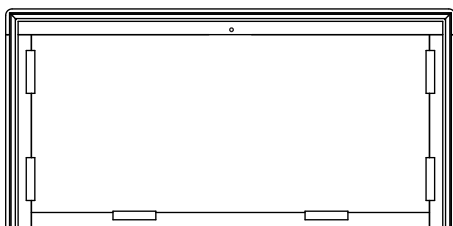
**I** 3x Drawer Bottom



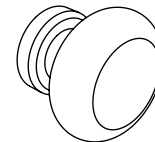
**J** 3x Drawer Back



**E** Top



**K** 6x Drawer Knob

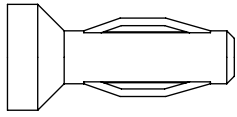


**L** 6x Drawer Knob Screw

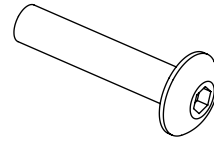


# Hardware:

**M** 8x Plastic Pin



**N** 13x Allen Screw



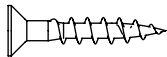
**O** 13x Flat Washer



**P** 13x Spring Washer



**Q** 24x Wood Screw



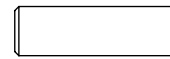
**R** Allen Wrench



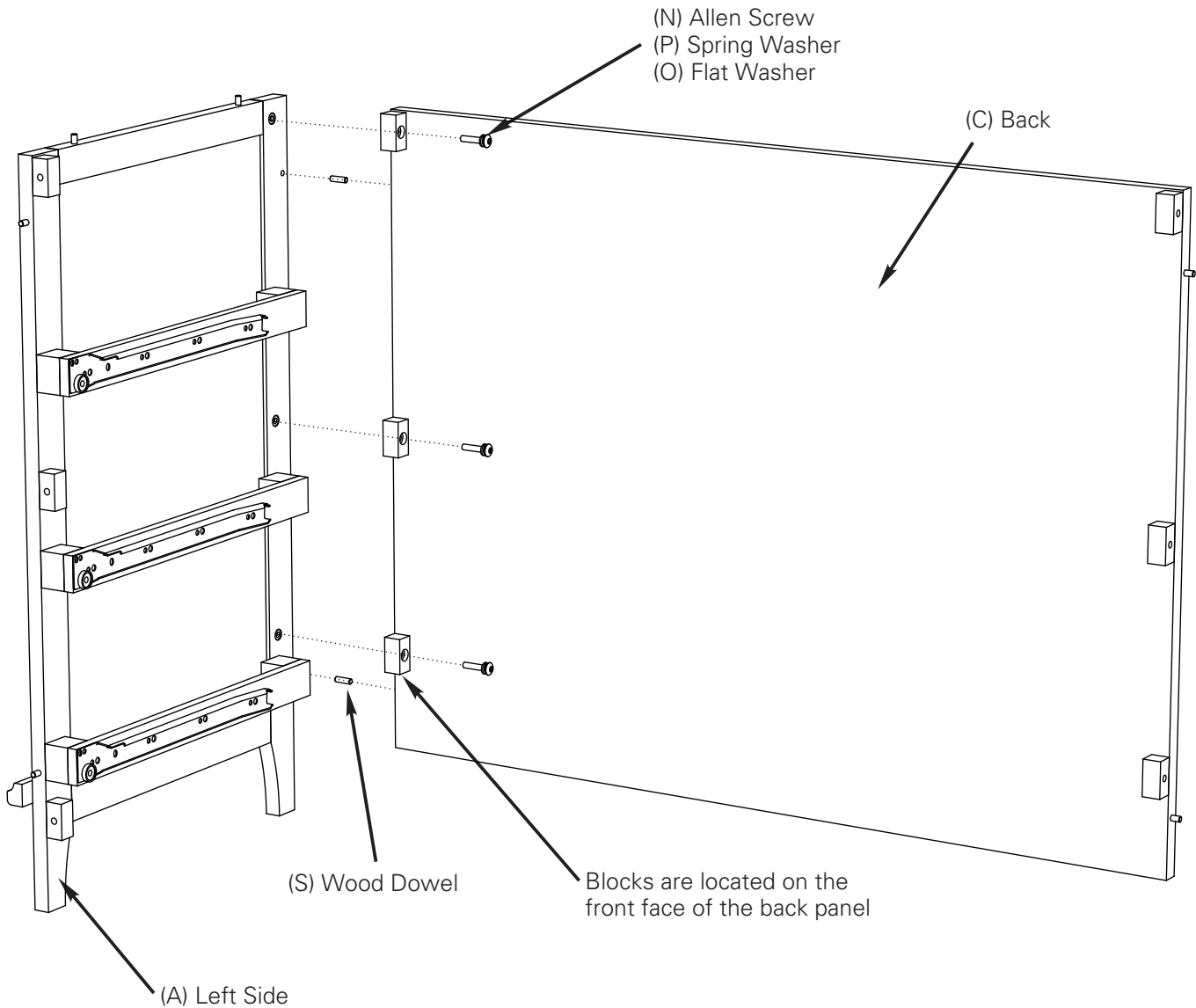
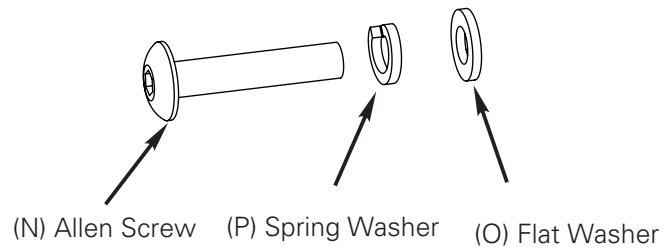
**S** 12x Wood Dowels (Dresser)



**T** 12x Wood Dowels (Drawers)



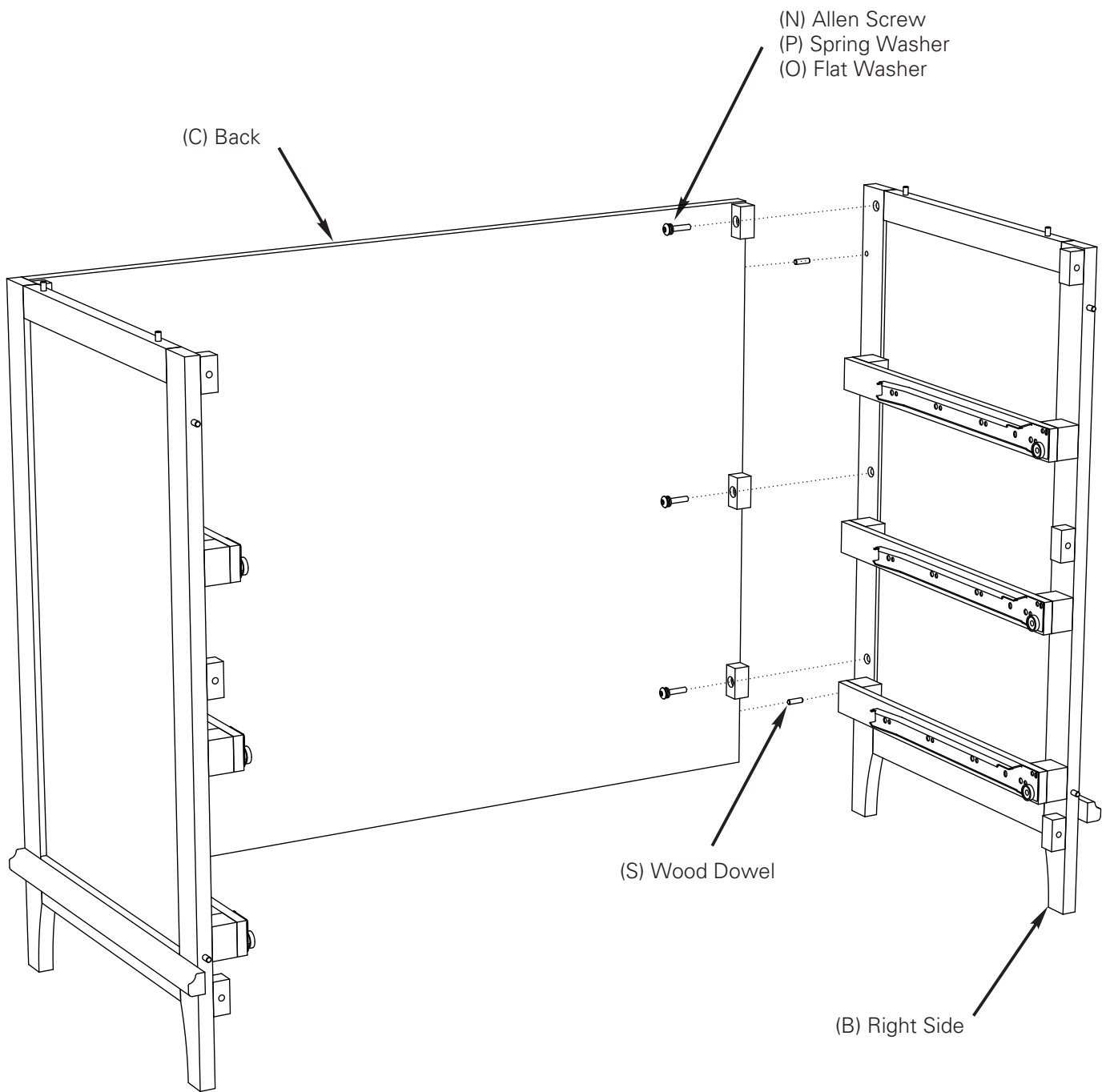
Wherever an Allen Screw is used, the Spring Washer and Flat Washer should be added in this order:



## Step 1:

To prevent scratching, assembly on carpet or another soft surface is recommended.

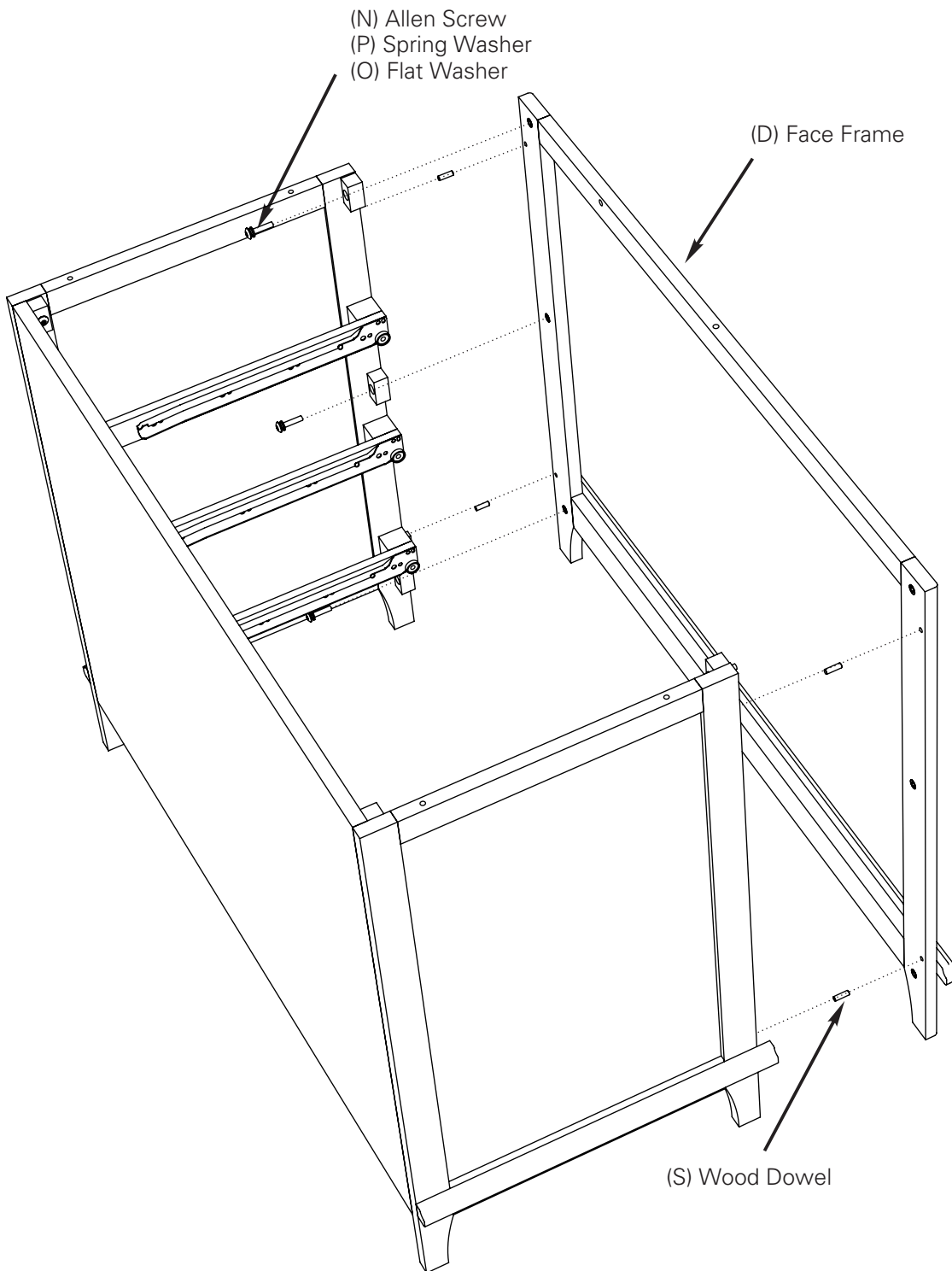
- A. Insert the Wood Dowels (S) into the holes on the edge of the Back (C)
- B. Align the dowels with the matching holes on the Left Side (A) and slide them together.
- B. Add a Spring Washer (P), then a Flat Washer (O), to an Allen Screw (N), and thread the screw into the hole. Tighten securely with the Allen Wrench (R)
- C. Repeat for the other two holes.



---

## Step 2:

- A. Insert the Wood Dowels (S) into the holes on the edge of the Back (C)
- B. Align the dowels with the matching holes on the Right Side (B) and slide them together.
- B. Add a Spring Washer (P), then a Flat Washer (O), to an Allen Screw (N), and thread the screw into the hole. Tighten securely with the Allen Wrench (R)
- C. Repeat for the other two holes.

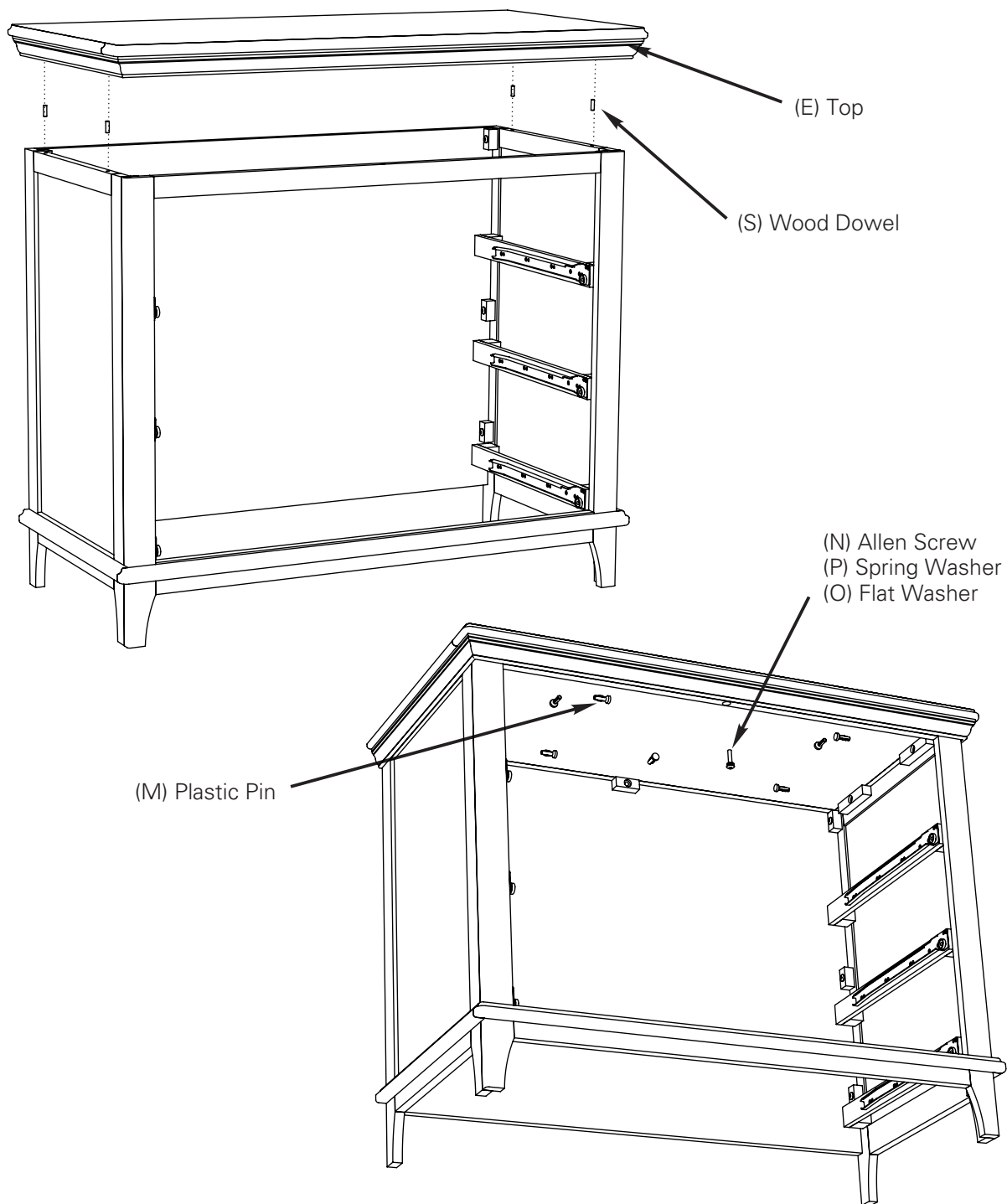


---

## Step 3:

- A. Insert the Wood Dowels (S) into the holes in the Face Frame (D)
- B. Align the dowels with the matching holes in the sides and slide them together.
- C. Add a Spring Washer (P), then a Flat Washer (O), to an Allen Screw (N), and thread the screw into the hole. Tighten securely with the Allen Wrench (R)
- D. Repeat for the other two holes, then repeat for the three others on the other side.



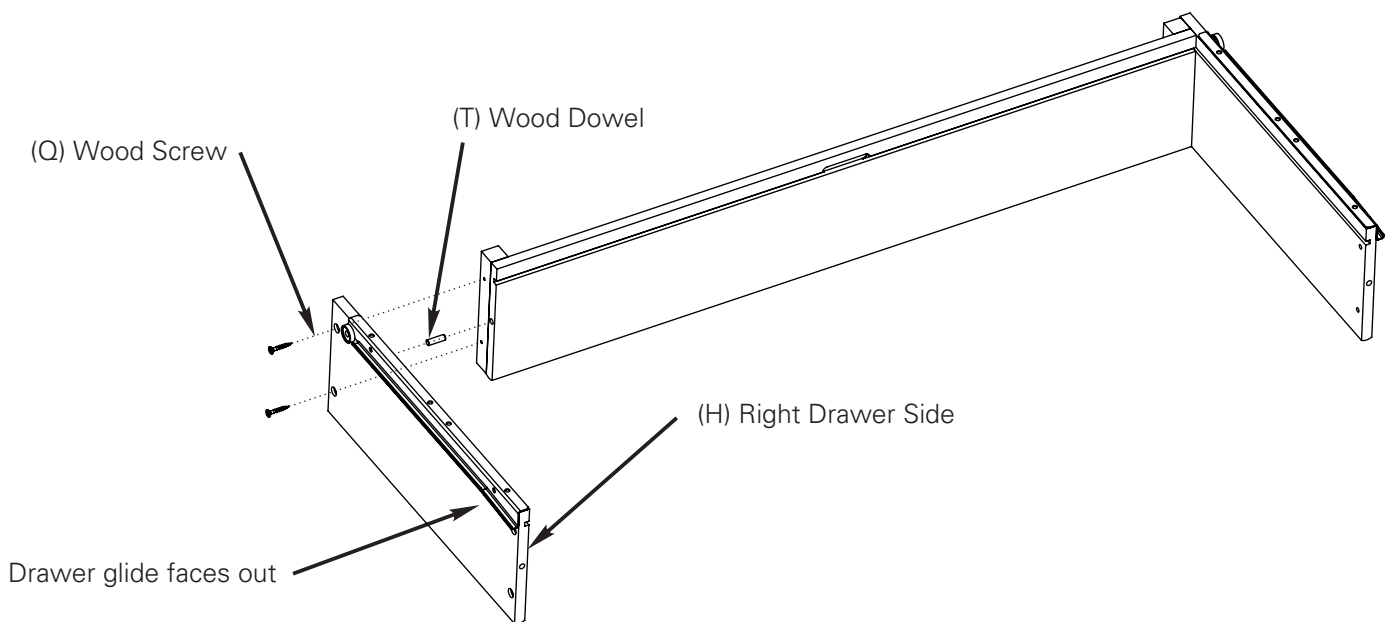
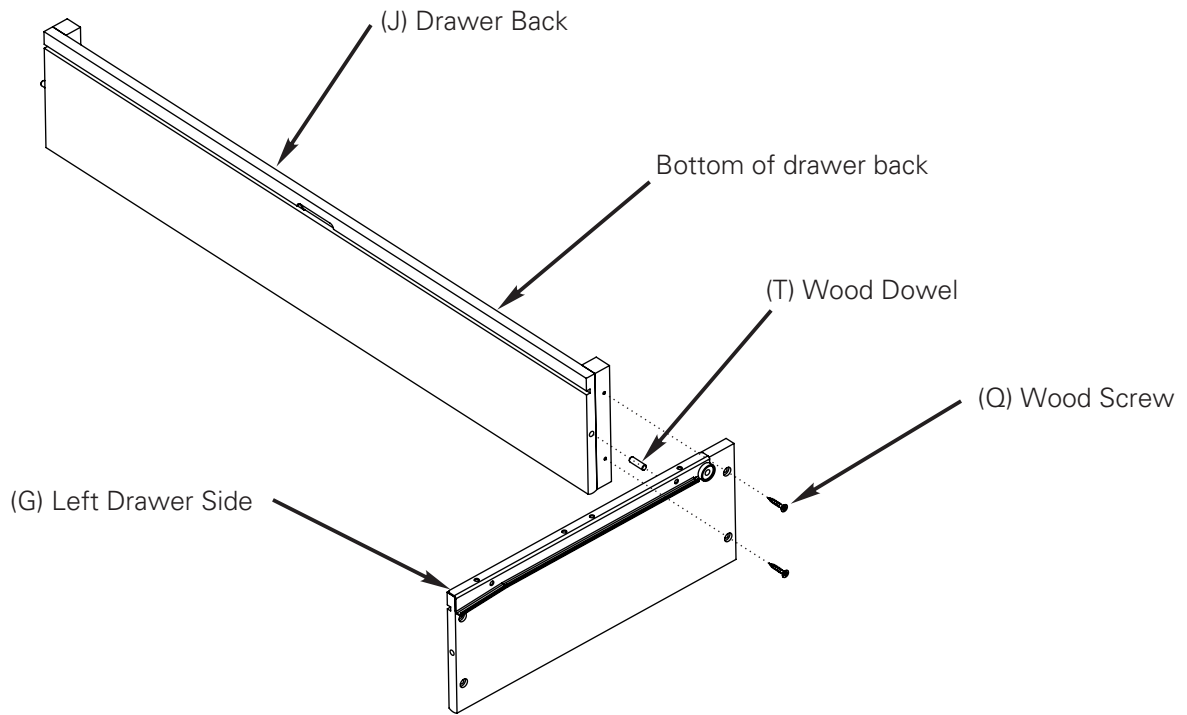


## Step 4:

- Insert the Wood Dowels (S) into the holes in the top of the sides, then align the Top (E) with the dowels and slide it down.
- Reach in and press a Plastic Pin (M) into each hole to secure the connection. There are eight holes in total.
- Tap the plastic pins into place with a mallet until fully seated (the pins may not be flush when fully inserted).
- Add a Spring Washer (P), then a Flat Washer (O), to an Allen Screw (N), and thread the screw into the hole. Tighten securely with the Allen Wrench (R)

## Step 5:

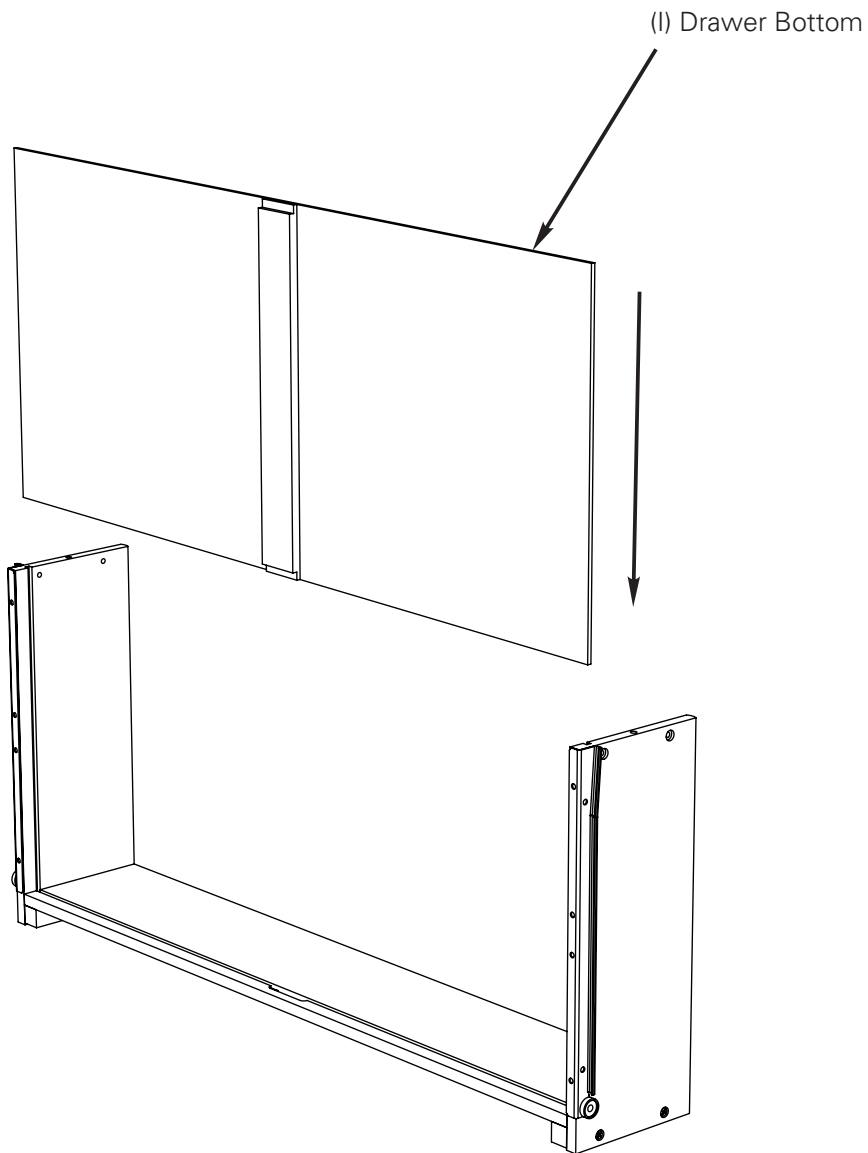
Attach the wall restraint according to the instructions in the bag.



---

## Drawer Assembly Step 1:

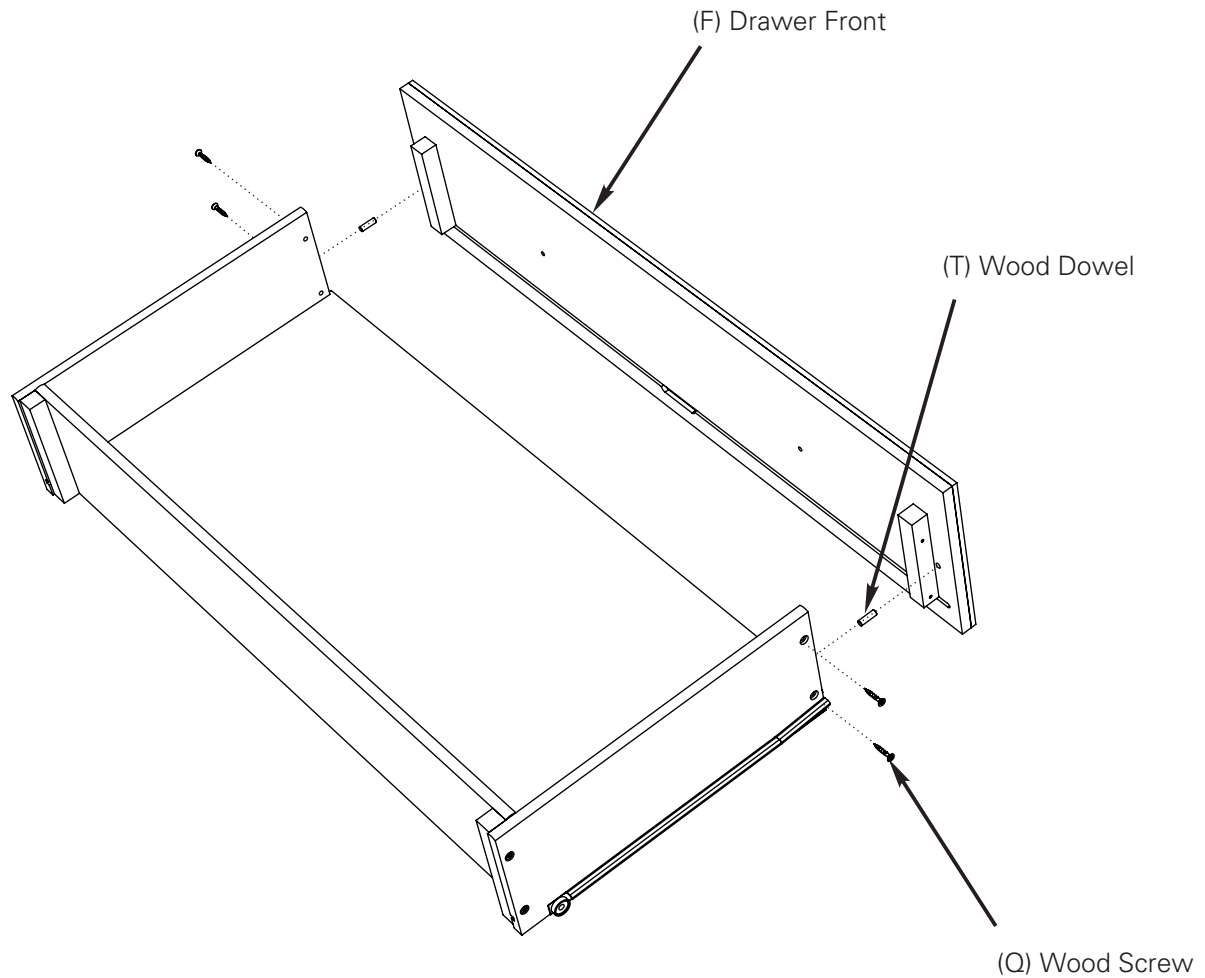
- Insert a Wood Dowel (T) into the edge of the Left Drawer Side (G) and align with the Drawer Back (J). Make sure the drawer glide faces out.
- Insert a Wood Screw (Q) into each hole and tighten with a screw driver.
- Align the Right Drawer Side (H) with the other side. Make sure the drawer glide faces out.
- Insert a Wood Screw (Q) into each hole and tighten with a screw driver.



---

## Drawer Assembly Step 2:

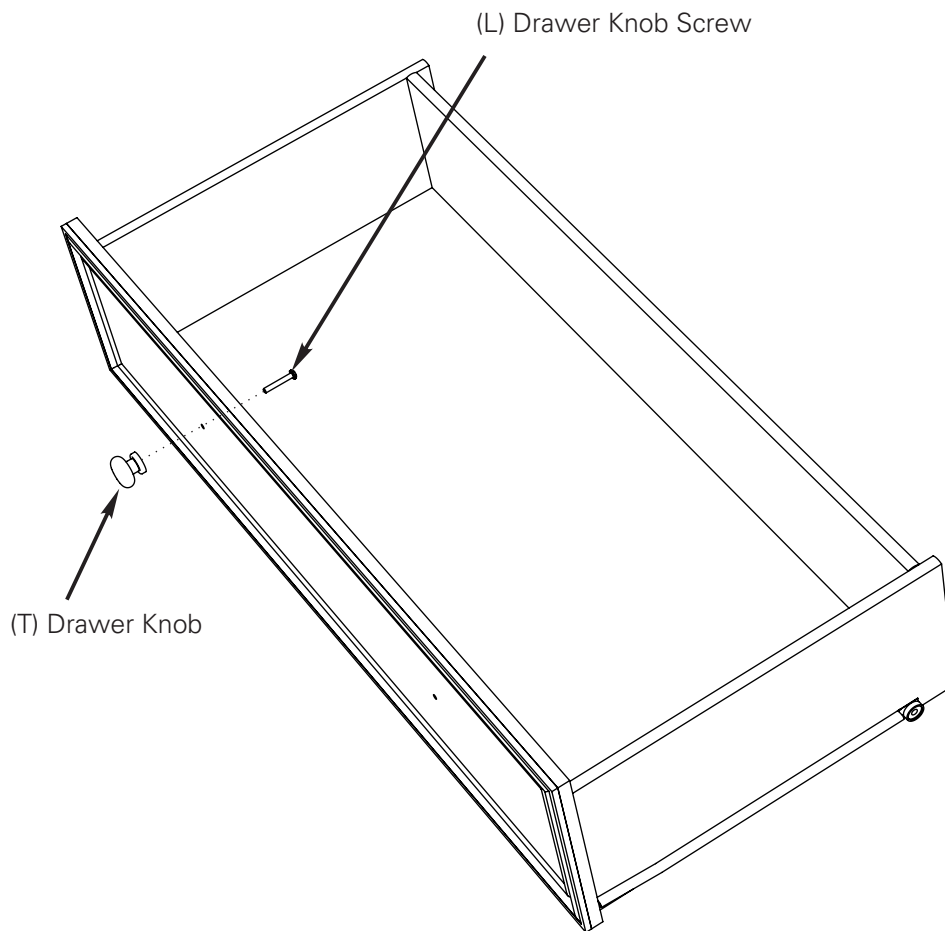
- A. Slide the Drawer Bottom (I) into the grooves along the bottoms of the drawer sides.
- B. The drawer bottom should be completely secured in the groove of the drawer back.



---

## Drawer Assembly Step 3:

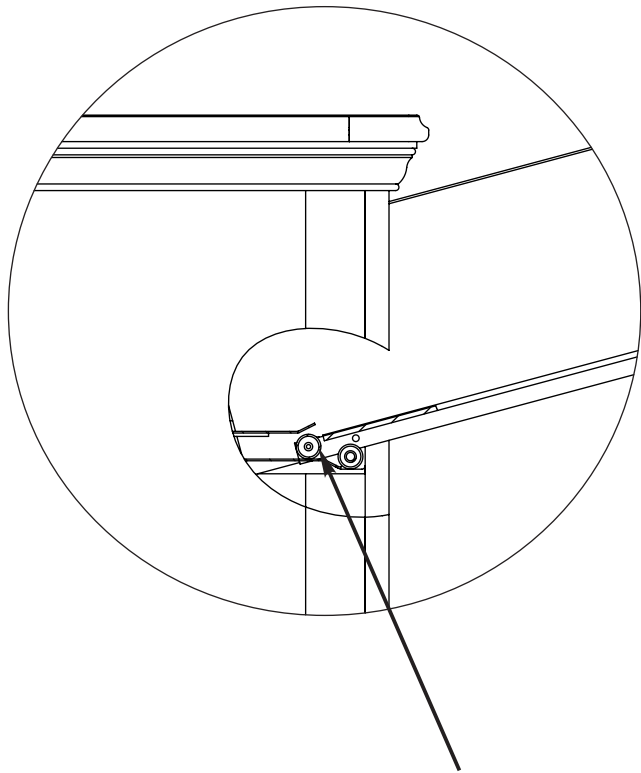
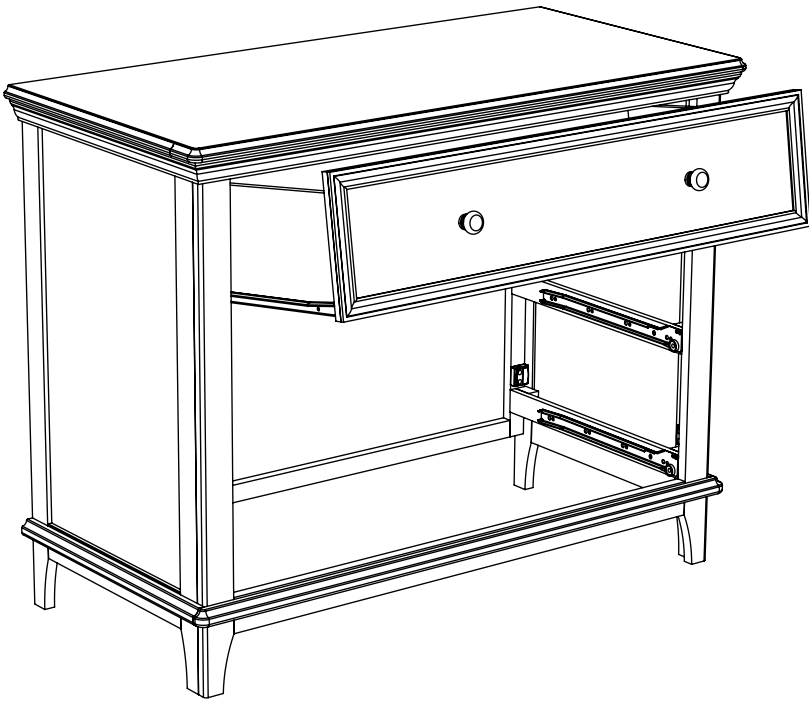
- A. Insert a Wood Dowel (T) in the matching holes on the Drawer Front (F), then align with the drawer sides and slide it into place, making sure the Drawer Bottom fits into the matching groove.
- B. Insert a Wood Screw (Q) into each hole and tighten with a screw driver.



---

## Drawer Assembly Step 4

- A. Align the Drawer Knob (K) with the holes in the Drawer Front and thread the Drawer Knob Screw (L) into the knob.
- B. Repeat for the other knob.
- C. Tighten the screws with a Phillips screwdriver.
- D. Repeat Drawer Assembly Steps 1-4 for the other two drawers.



Align rear wheel on drawer with drawer track.



---

## Step 5:

- A. Slide an assembled drawer into the tracks, tipping it up first to align the wheels with the runners. The drawers should open and close smoothly.
- B. Repeat for the other two drawers.
- C. A wall mounting kit is provided with your dresser. Please install it using the instructions included in the kit.