

# Kolcraft®

## Cloud™ 360° Plus

Stroller Wagon



Scan for instructional video

Model #: KT015  
S164 11/2025

# WARNING

**IMPORTANT SAFETY INFORMATION.** DO NOT USE PRODUCT UNTIL YOU READ AND UNDERSTAND THESE INSTRUCTIONS. KEEP INSTRUCTIONS FOR FUTURE USE. Failure to follow these warnings and the assembly instructions could result in serious injury or death.

**Avoid serious injury from falling or sliding out. Always use restraint system.**

## **How to Keep Your Child Safe While Using this Product**

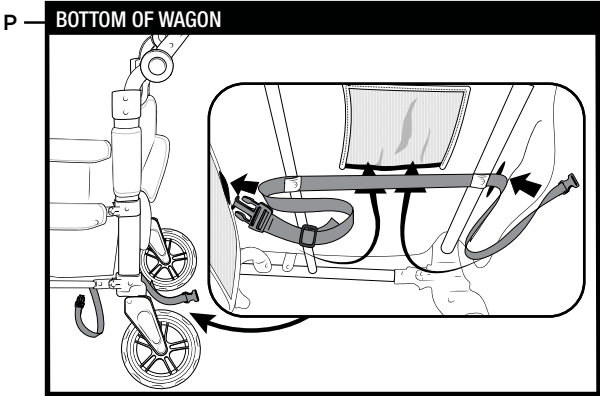
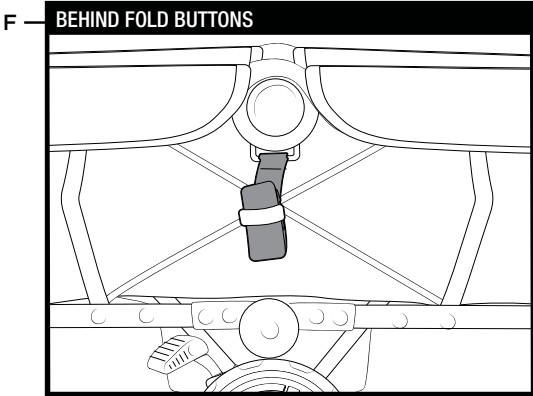
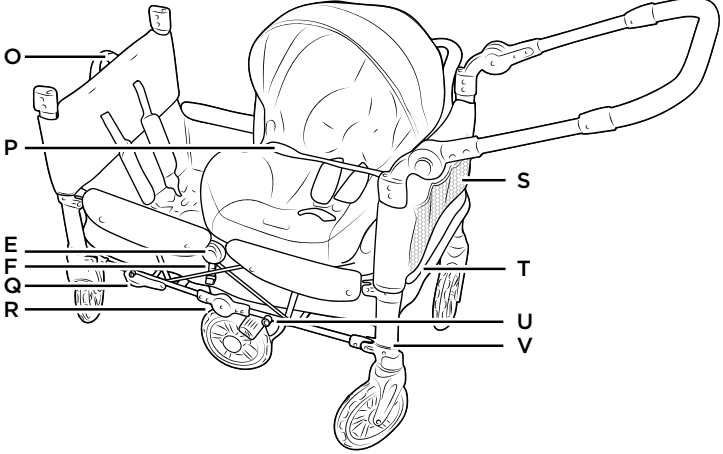
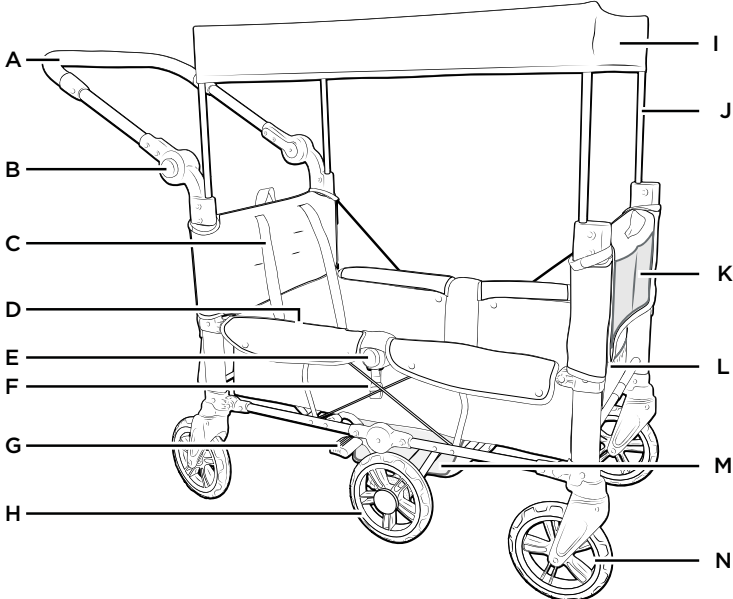
- **Adult assembly required.**
- **Never leave your child unattended while in the product.** Your child may become tangled in straps or pads and suffocate.
- **Always lock the product open before allowing your child in or near the product to prevent injuries caused by moving parts.**
- **Take care when folding and unfolding and keep children clear to prevent finger pinching.**
- **Always engage wheel brakes when product is not moving, especially on an incline, to prevent the product from rolling away.**
- Only use this product with two children who weigh no more than 55 lb (25 kg) each. Use by more or larger children may damage the product or cause a hazardous, unstable condition to exist.
- Do not exceed 110 lb (50 kg) total weight in the product.
- Do not exceed 0.5 lb (0.2 kg) in the interior storage pockets.
- Do not exceed 20 lb (9 kg) in the footwell compartment when used for storage.
- Do not exceed 3 lb (1.3 kg) in Front Storage Pockets.
- Do not exceed 2 lb (0.9 kg) in Canopy Storage.
- Do not exceed 3 lb (1.3 kg) in Parent Storage Pockets.
- Do not exceed 2 lb (0.9 kg) in Parent Organizer.
- Do not carry heavy loads while children are in the seating area.
- **Always distribute weight inside the product evenly for optimal handling.** To prevent tipover, do not place accessories other than those approved by Kolcraft on the canopy or over the handle and follow all maximum weight limits or else the product may become unstable.
- **Never use the product on stairways or escalators.**
- **DO NOT** allow children to climb into product unassisted. Product may tip over and injure child.
- Do not allow children to stand or sit on the side rails of the wagon when getting in or out of the wagon.
- Always engage the product's brakes prior to placing children in or out of the product.
- Do not push down on height-adjustable handle to lift front wheels; doing so may cause the product to move unexpectedly or damage the product. Always ascend curbs by using the handles to lift product up.
- Always fully insert all four canopy tubes when using canopy.
- To prevent damage to the canopy, remove the canopy and canopy tubes from the product when storing.
- When product is folded, do not lift the product from the folded handle or canopy tubes.
- Only use replacement parts and accessories supplied by the manufacturer.

## WARNING

### **How to Use this Product with Your infant car seat**

- Use only compatible car seats with this product. For a list of compatible car seats, please view product information at [Kolcraft.com](http://Kolcraft.com).
- If at any time your infant car seat does not secure properly to the product, or if you have questions about assembly or use of the product, **DO NOT** use this product. Call Kolcraft at 1-800-453-7673.
- Follow the age and weight limitations provided by the manufacturer of your infant car seat.
- Always secure infant in the infant car seat following the instructions provided by the manufacturer of the infant car seat.
- Always use cross strap with the infant car seat. Ensure cross strap does not overlap Fold Buttons.
- Do not place infant car seat in product without using infant car seat retention straps.
- Keep a hand on the product when installing and removing the infant car seat to the product. Infant car seat may have moved while in use.
- Always stow infant car seat retention straps when not being used to prevent tripping hazard or damage to the buckles.

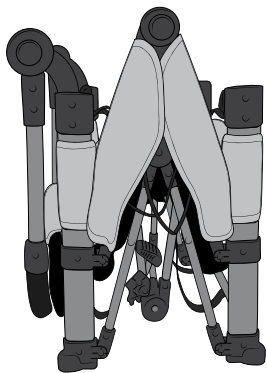
**FEATURES LIST**



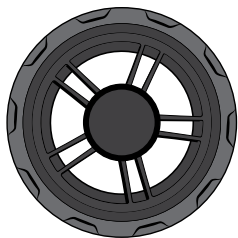
- A Handlebar
- B Height Adjustment Buttons
- C Harness
- D Interior Storage Pockets
- E Fold Buttons
- F Car Seat Cross Strap
- G Brake
- H Middle Wheel
- I Canopy
- J Canopy Tubes
- K Front Storage Pockets
- L Canopy Storage
- M Footwell
- N Corner Wheels
- O End Lift Handles
- P Car Seat Securing Strap\*
- Q Stroller Lock Latch
- R Middle Wheel Release
- S Parent Storage Pockets
- T Parent Organizer
- U Stroller Lock Button
- V Corner Wheel Release

\*Infant car seat not included

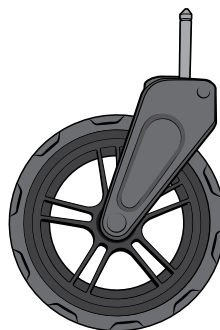
## PARTS LIST



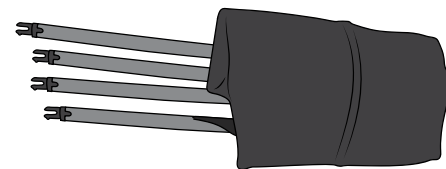
STROLLER WAGON FRAME



MIDDLE WHEEL (2)



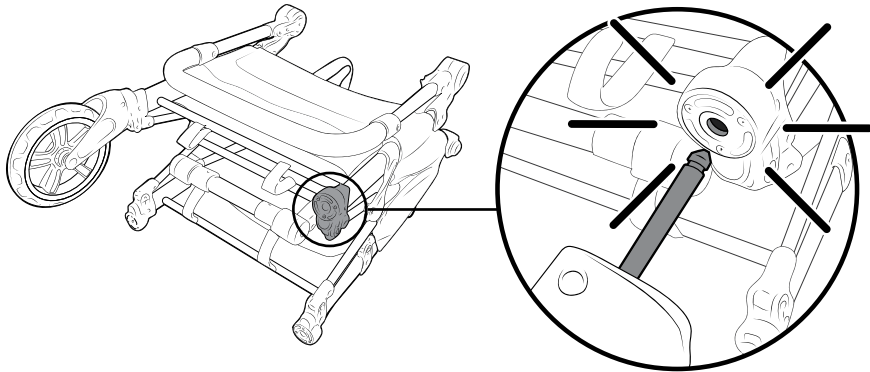
CORNER WHEEL (4)



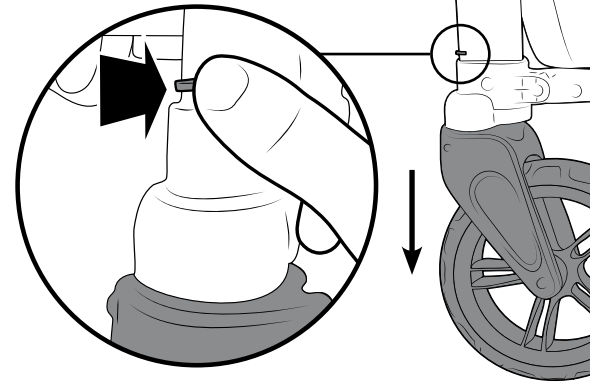
CANOPY

## ATTACH CORNER WHEELS

1-1 x4

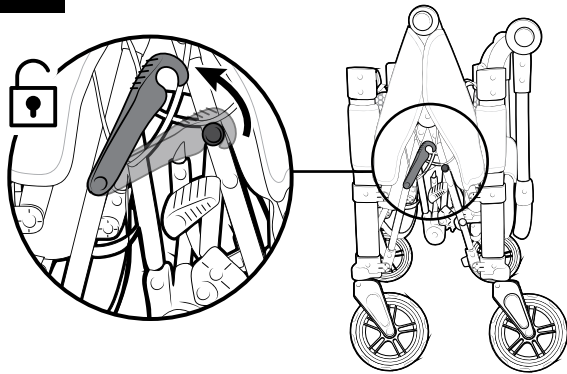


TO REMOVE

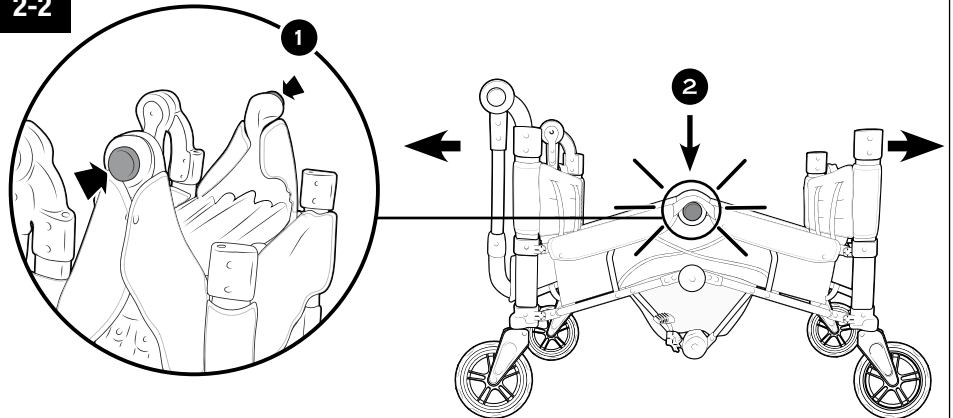


## OPEN FRAME

2-1

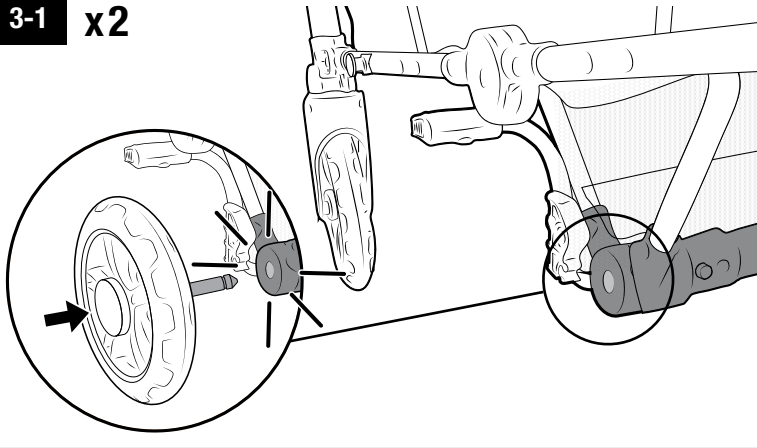


2-2

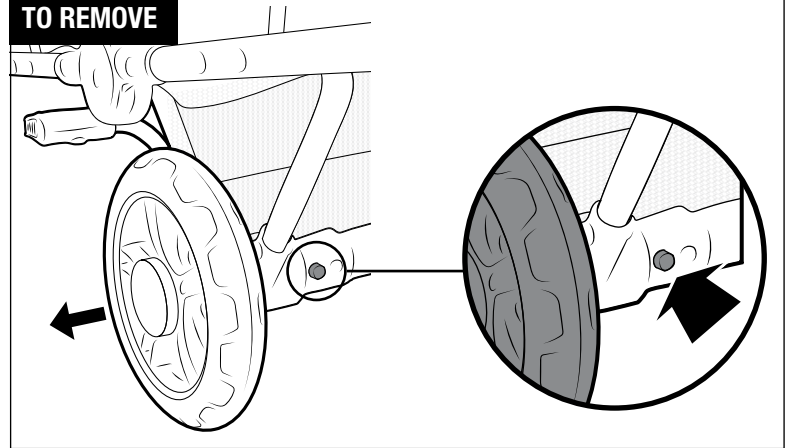


## ATTACH MIDDLE WHEELS

3-1 x2

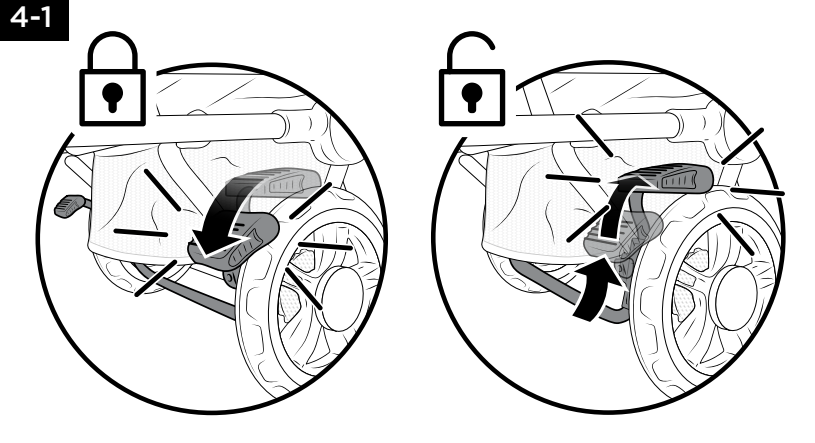


TO REMOVE

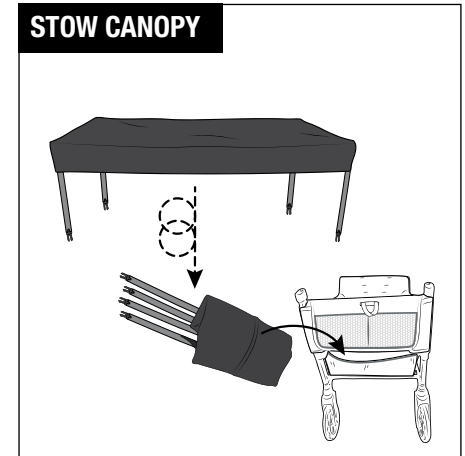
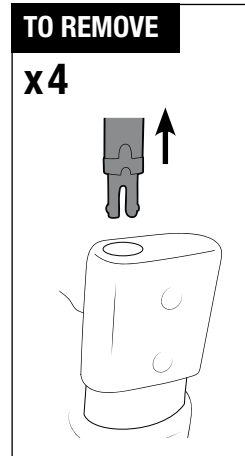
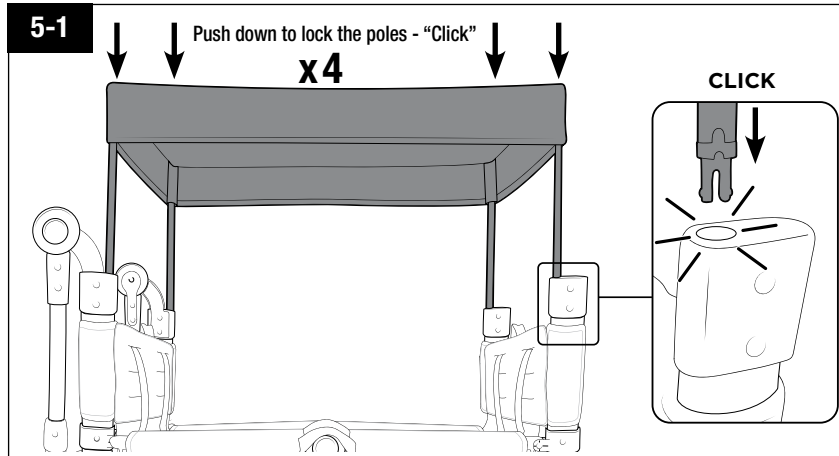


## OPERATE BRAKES

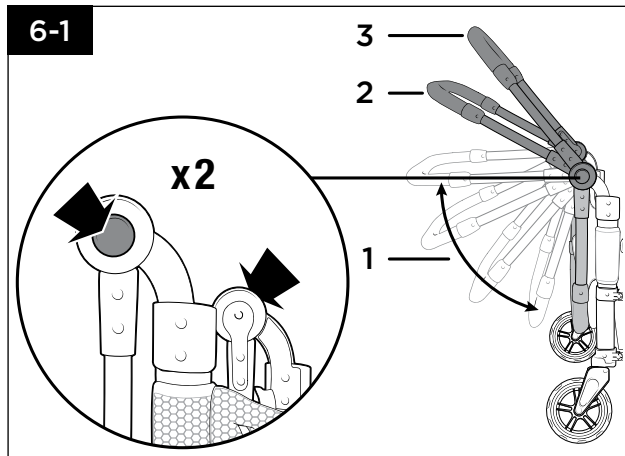
4-1



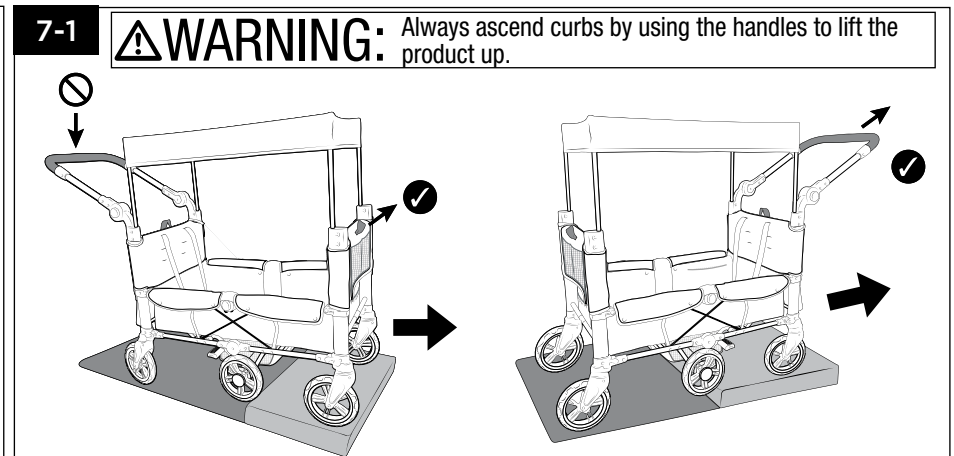
## ATTACH CANOPY



## ADJUST HANDLE

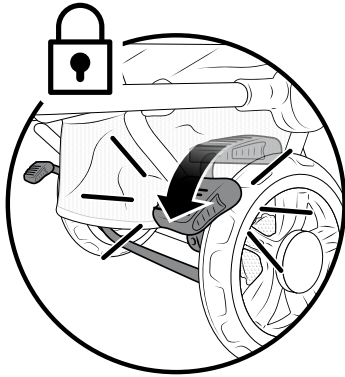


## NAVIGATE CURBS

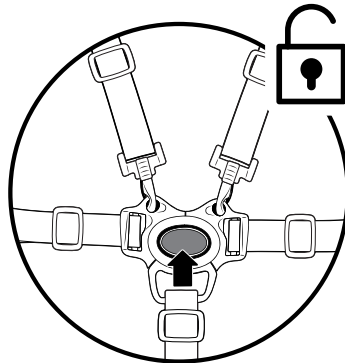


## SECURE CHILD IN SEAT

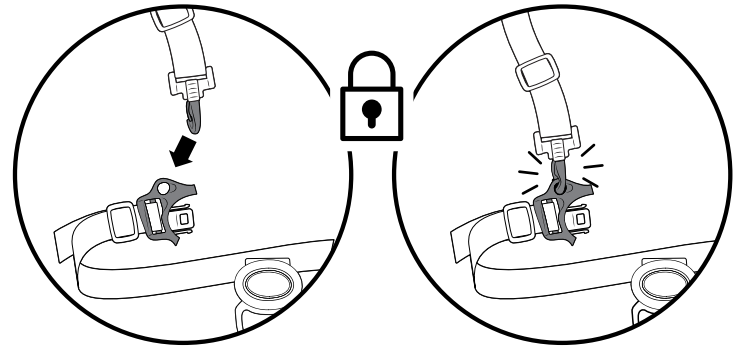
8-1



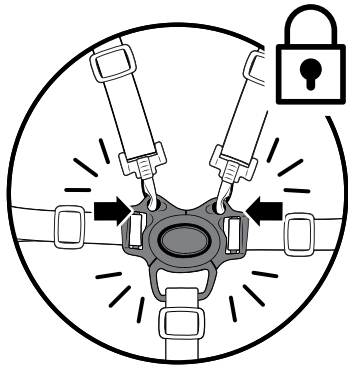
8-2



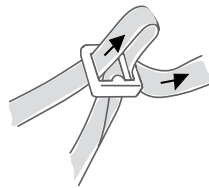
8-3



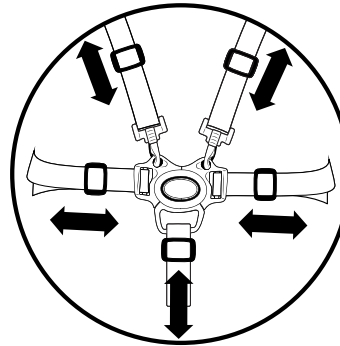
8-4



8-5



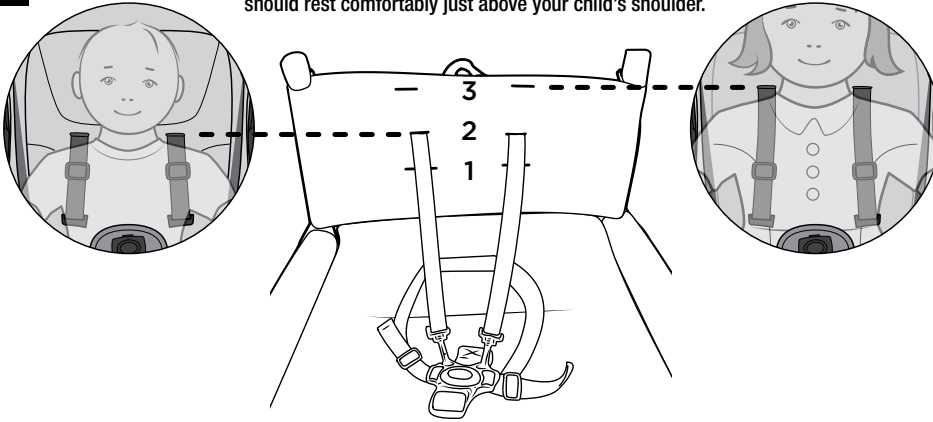
Adjust restraint harness  
for a snug fit.



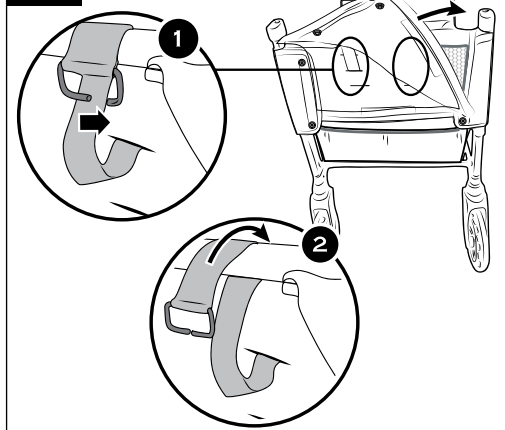
# ADJUST SHOULDER STRAP HEIGHT

9-1

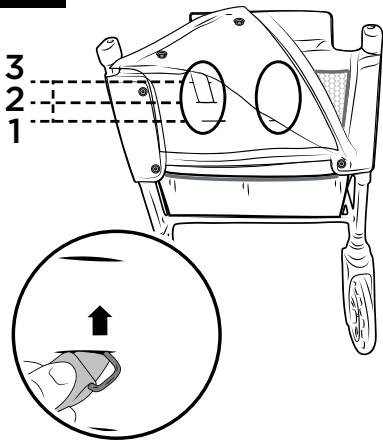
For the safest and most secure fit, the shoulder strap should rest comfortably just above your child's shoulder.



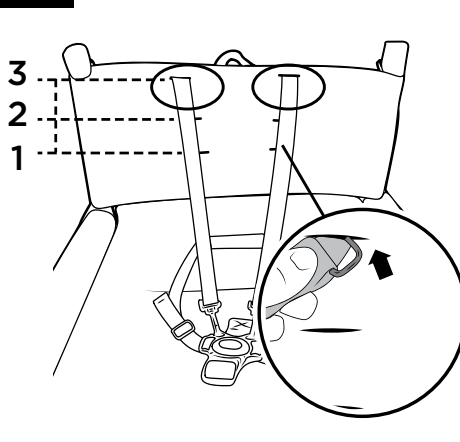
9-2



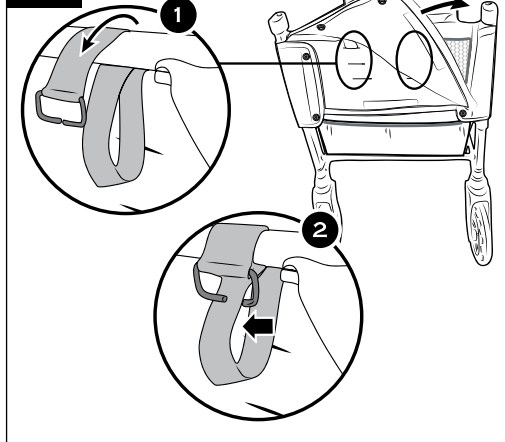
9-3



9-4

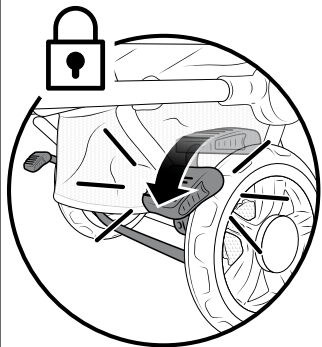


9-5

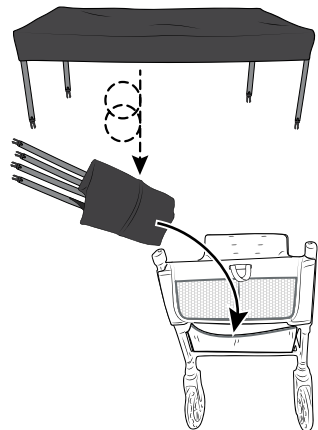


# INSTALL INFANT CAR SEAT

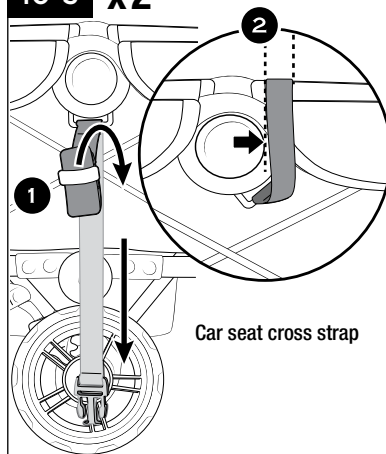
10-1



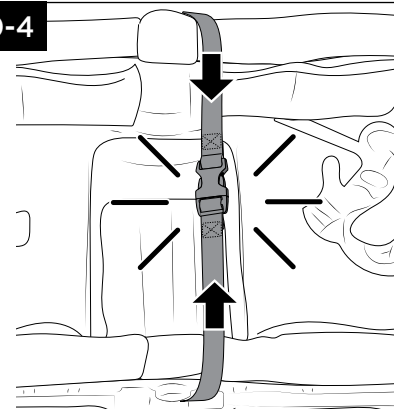
10-2



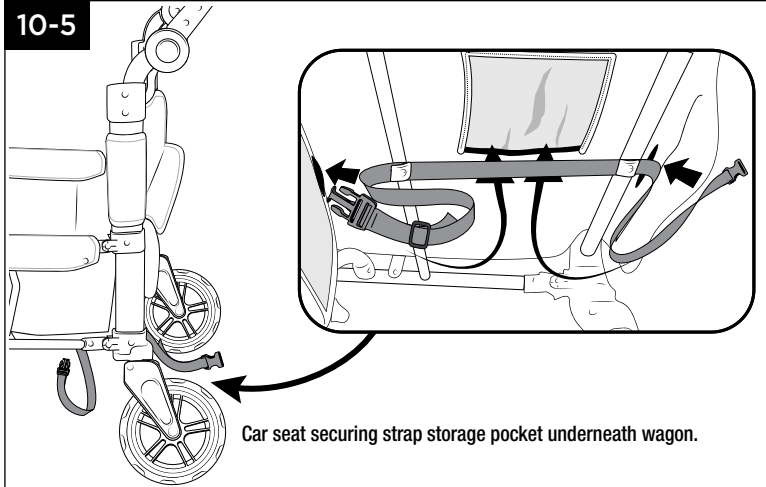
10-3 x2



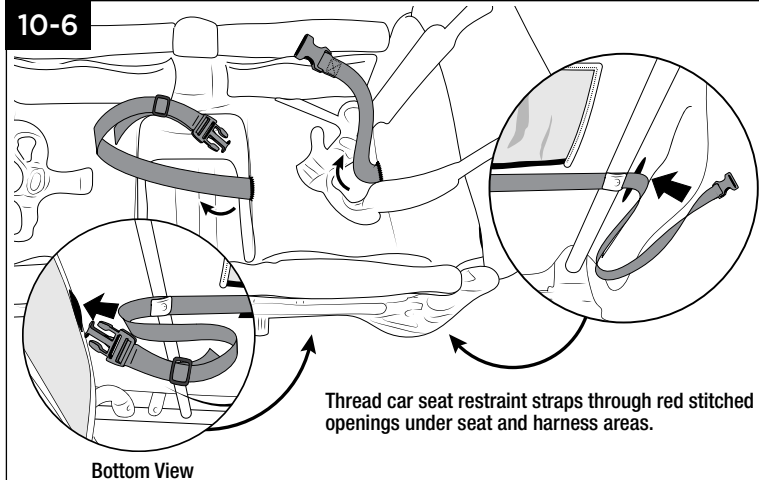
10-4



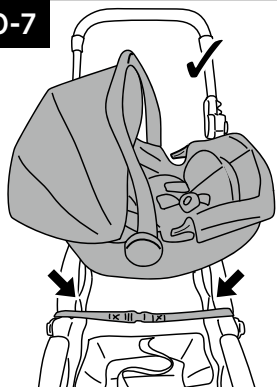
10-5



10-6

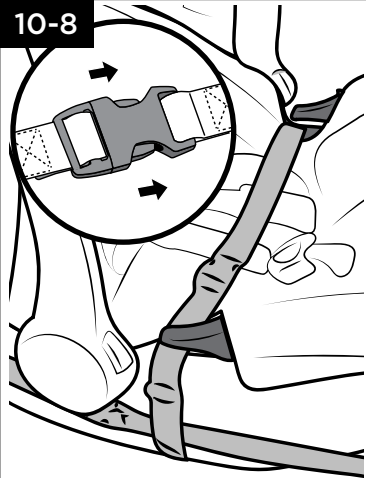


10-7



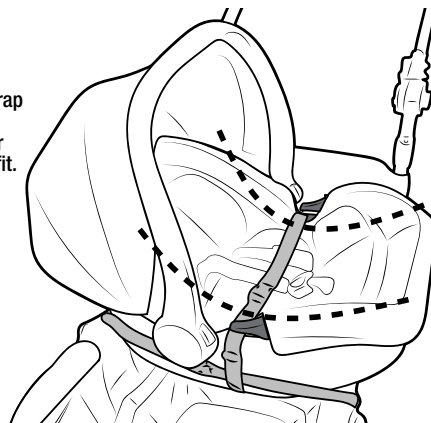
Insert car seat in wagon and on car seat cross strap.

10-8

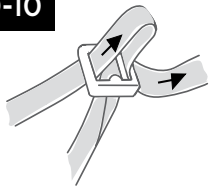


10-9

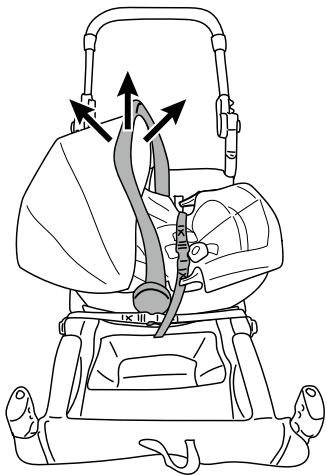
Close car seat securing strap around the car seat cross strap and on lowest center point of car seat for snug fit.



10-10



Adjust Infant Car Seat Strap for a tight fit. Test infant car seat installation by moving car seat in all directions to ensure a tight fit.

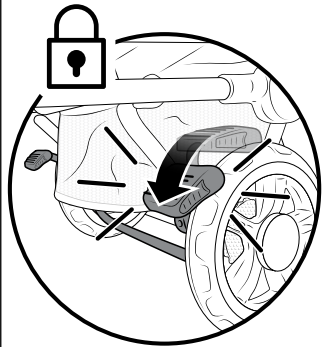


**NOTE:** Always ensure infants are secured using the car seat's straps first.

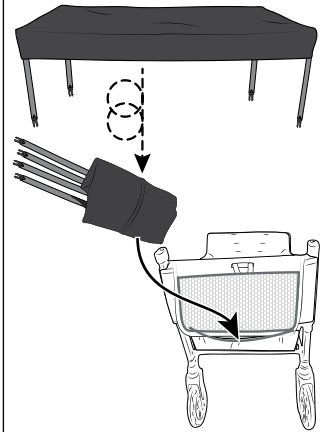
**NOTE:** The wagon 5-point harness will not be used when using the infant car seat restraint straps.

# FOLD WAGON

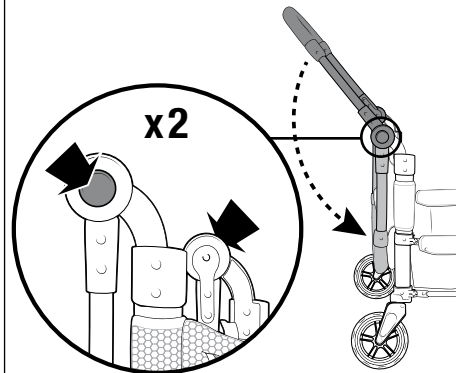
11-1



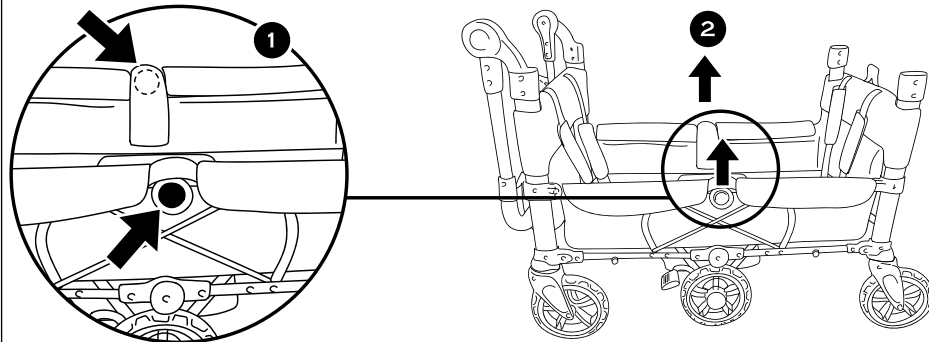
11-2



11-3

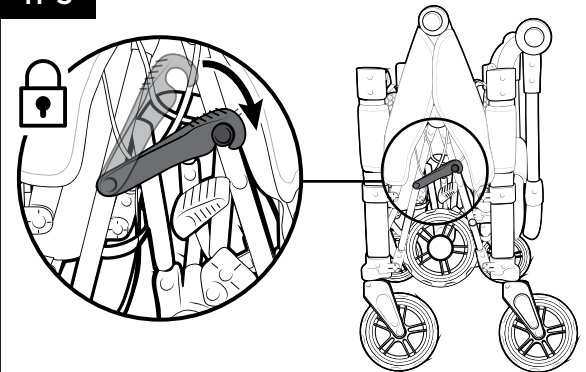


11-4



Push in buttons on both sides of frame simultaneously, then lift up on frame.

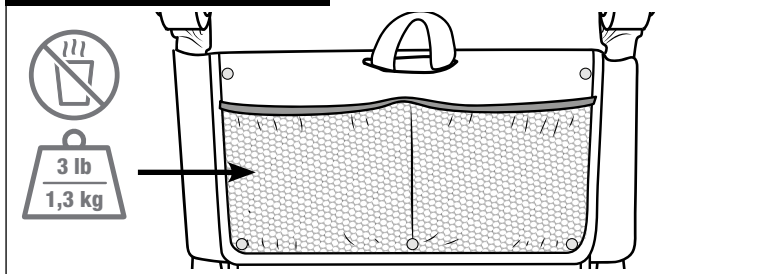
11-5



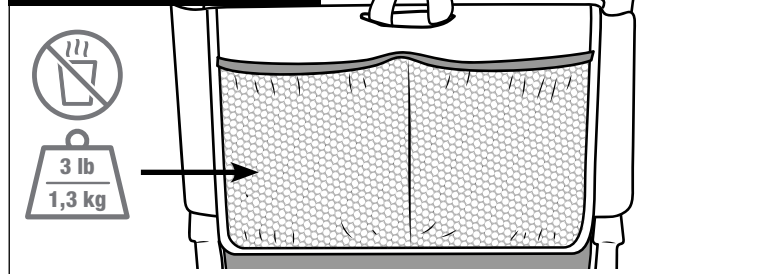
For the most compact fold, ensure wheels are all pointing in the same direction as shown in the illustration above.

# STORAGE

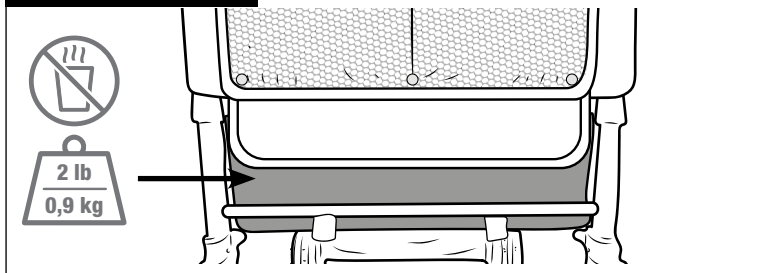
## PARENT STORAGE POCKETS



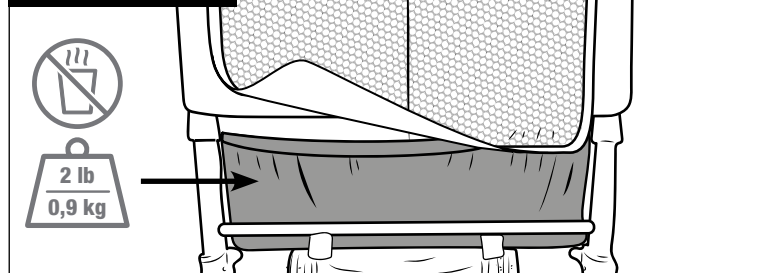
## FRONT STORAGE POCKETS



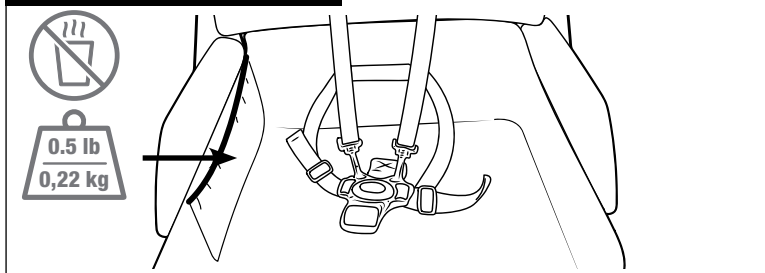
## PARENT ORGANIZER



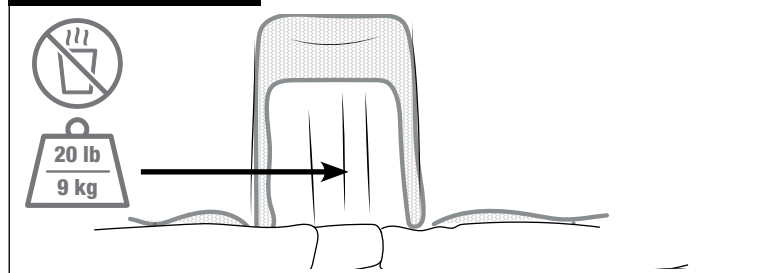
## CANOPY STORAGE



## INTERIOR STORAGE POCKETS



## FOOTWELL STORAGE



## CARE & MAINTENANCE

- Clean hard parts with a damp cloth and wipe dry.
- Spot clean fabric with mild soap and water solution.
- If product becomes wet, wipe with a soft cloth to prevent rusting on metal frame.
- When storing product, never stack other items on top of or in it; this may damage the product.
- Periodically check for worn parts, loose screws, or torn materials and stitching.
- Replace any damaged parts immediately.

Please direct any comments, questions or replacement part requests to:

Kolcraft® Consumer Service Department

10832 NC Hwy 211 East, Aberdeen, NC 28315

1-800-453-7673 in USA & Canada, 1-312-361-6315 outside USA & Canada

e-mail: [customerservice@kolcraft.com](mailto:customerservice@kolcraft.com)